

DCM-4000 / DPM-5000

Corner / Pole Mount Bracket for Dome Camera



INCORPORATED

Sophisticated Security and Surveillance Systems

Features

- ✓ Low cost
- ✓ Die cast and aluminum
- ✓ Easy to install
- ✓ Maximum load 63.5 lb

DCM-4000
Corner Mount



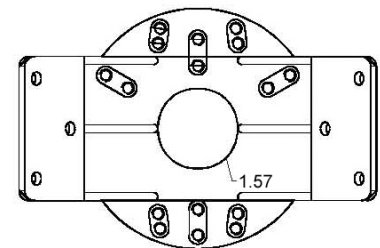
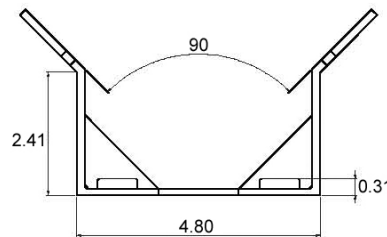
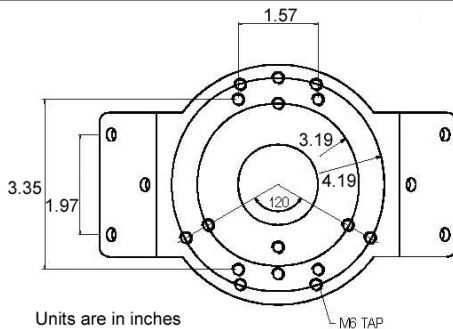
DPM-5000
Pole Mount



Specifications DCM-4000

Mechanical

Enclosure Mounting	Ten (10) M6 x 15mm hex head machine screw (supplied)	Finish	Light-gray polyester powder coat
		Weight	0.98 lb (0.45 Kg)
Construction	Die cast and aluminum	Maximum load	63.5 lb



Specifications DPM-5000

Mechanical

Enclosure Mounting	Ten (10) M6 x 15mm hex head machine screw (supplied)	Construction	Die cast and aluminum
	Two (2) M10 x 90mm hex head machine screw (supplied)	Finish	Light-gray polyester powder coat
	Two (2) M10 hex nut (supplied)	Weight	1.64 lb (0.75 Kg)
		Maximum load	63.5 lb

