

DND-6200-UT

PTZ High Resolution Unitized Day/Night 26x Optical Zoom



INCORPORATED

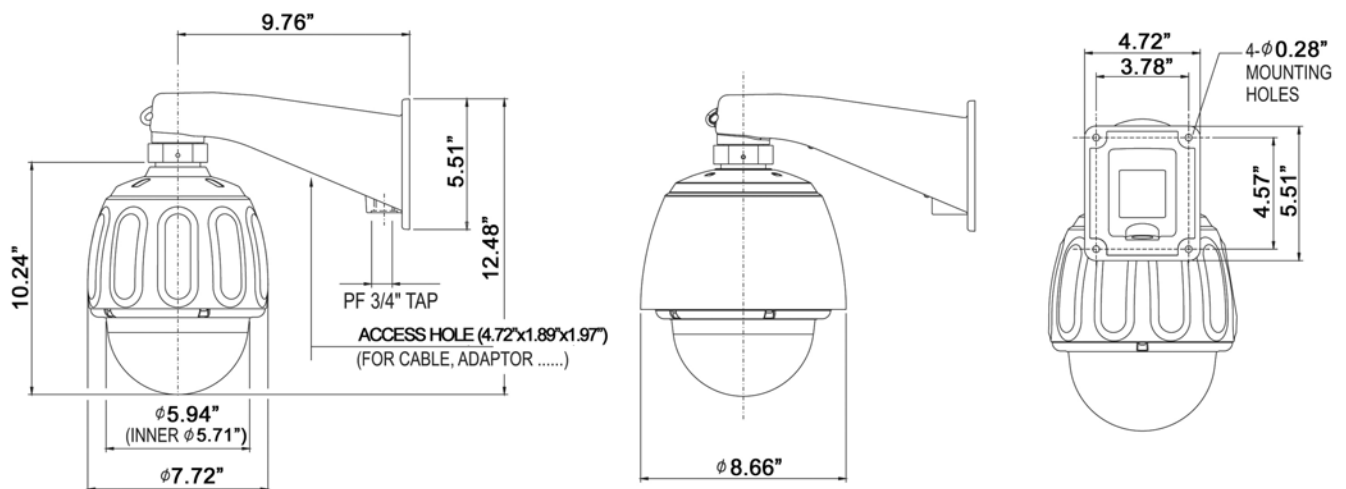
Sophisticated Security and Surveillance Systems

Features

- ✓ 1/4" Ex-view image sensor
- ✓ 26x Optical Zoom Lens
- ✓ 480 TVL Resolution
- ✓ 0.01 Lux with ICR ON
- ✓ Up to 128 programmable preset positions
- ✓ Up to 8 programmable guard tours
- ✓ 4 user control patterns up to 240 seconds
- ✓ 8 user-programmable Auto Scan holds pan/tilt angle & zoom ratio with 9 selectable speeds
- ✓ 180° Auto Flip over to follow objects
- ✓ 360° Continuous rotation
- ✓ 8 Privacy Zones (2 methods selectable: Block / Video Off)
- ✓ Built-in RS485 Receiver/Driver
- ✓ Up to 380°/sec pan & tilt speed (preset recall speed)
- ✓ User programmable tilt angle to eliminate horizon cutoff in wide-angle views
- ✓ 4 alarm inputs and 2 outputs can be programmed by user

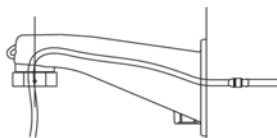


Description

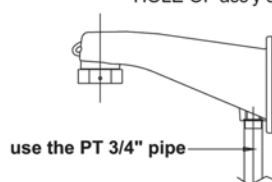


<MOUNTING LOCATION>

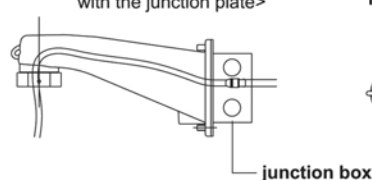
<TYPE "A" : Cable through the wall>



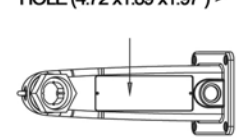
<TYPE "B" : USE THE S3/4;" PF HOLE OF ass'y stand>



<TYPE "C" : Cable through the junction box with the junction plate>



<TYPE "D" : USE THE ACCESS HOLE (4.72"x1.89"x1.97") >



<CABLE ENTRY>



Specifications

Camera				
Video		Function		
Signal Format	NTSC	ICR	Yes	
Resolution	480 TVL	Privacy Zone	8 privacy zone	
Min. Illumination	1.0 lux (normal shutter)	Tilt Angle	-10°-90°	
	0.07 lux (1/4 shutter)	Pan Angle	360° Continuous Rotation	
	0.01 lux (1/4 shutter, IR cut removal)	Auto Flip	180° Flip over	
Lens	26x optical zoom (12x digital zoom)	Preset Speed	380° / sec maximum pan / tilt	
Focal Length	F1.6 (f=3.5-91mm)	Variable Speed	0.1° / sec to 360° / sec (Turbo Speed Button)	
General		Preset	128 programmable position	
Image Sensor	1/4" Type Ex-view CCD	Guard Tour	8 pre-programmed tours	
		Auto Scan	1 auto pan & 8 auto scan capability	
		Area Title	16 areas	
		Pattern	4 patterns (recording up to 240 sec.)	
		Alarm Input	4 inputs	
		Alarm Output	2 aux out programmable (NO / NC)	
		Programmable ID	Up to 999	
Housing				
Mechanical		General		
Construction	Aluminum and steel	Ambient Environment Temp	-40° F to 122°	
Finish	Light Gray polyester powder coat	Ratings	IP66	
Dome Bubble	Plastic (Polycarbonate)	Cable Entry	PF 3/4" hole, Access hole	
Weight	Approx 11 lbs (sunshield included)	Power		
		Power Supply	24 VAC, 50/60Hz	
		Power Consumption	Dome camera	
			Blower	1.78 W
			Heater	50W