

IP-MPD-5500

PTZ Mini Dome High Resolution, Vandal Proof, Network Camera



INCORPORATED

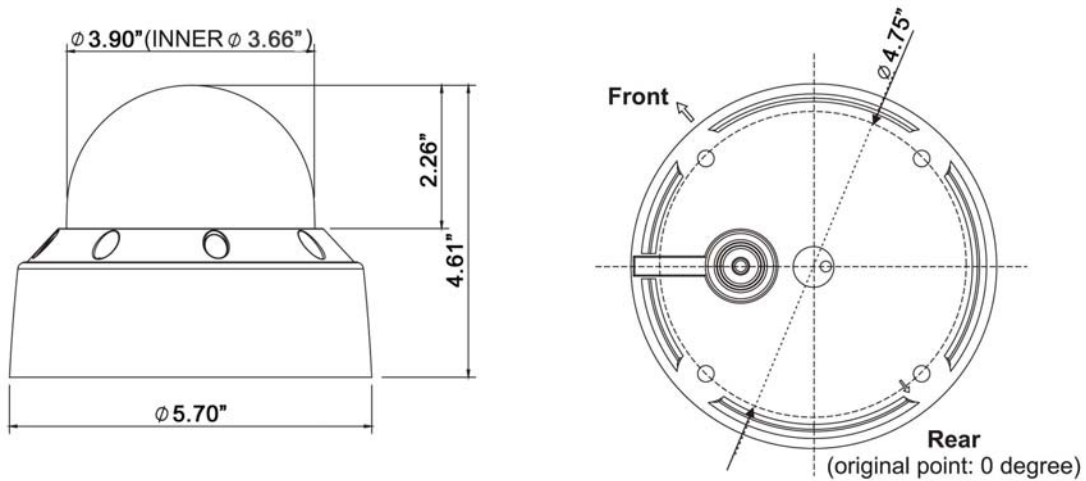
Sophisticated Security and Surveillance Systems

Features

- ✓ Full frame rate up to D1 30fps @ 720x480 resolution
- ✓ Compatible with MPEG4 standard
- ✓ Remotely Controllable Intelligent Pan/Tilt/Zoom Camera System
- ✓ 10x optical zoom lens (additional 10x digital zoom)
- ✓ Combines superior imaging with a vandal-proof housing
- ✓ Pan: 0°~359°, Tilt 0° ~ 90°
- ✓ Pan/Tilt speed = pan 120°/sec, tilt 120°/sec
- ✓ Up to 60 programmable preset positions
- ✓ Up to 63 programmable dome ID's
- ✓ Rugged, compact design for indoor/outdoor applications
- ✓ Built-in network interface (10Base-T/100Base-T) for remote monitoring by PC
- ✓ Interface protocol: TCP/IP, HTTP, UDP, DHCP, RTP, RTSP, SMTP, DDNS
- ✓ Quick and easy set up with user friendly GUI
- ✓ Sophisticated motion detection
- ✓ Supports pre & post alarm record in client PC
- ✓ Notify events via e-mail & SMS



Description



IP-MPD-5500

PTZ Mini Dome High Resolution, Vandal Proof, Network Camera



INCORPORATED

Sophisticated Security and Surveillance Systems

Specifications

Video		General	
Signal Format	NTSC	Image Sensor	1/4" Sony Super-HAD Color CCD
Resolution	430 TV Lines	Total Pixels	768 (H) x 494 (V)
Min. Illumination	1.5 Lux	Scanning System	2:1 interlace
Video Output	1.0 Vp-p, 75 ohm composite	Scanning Frequency	15.734 KHz (H), 59.94 Hz (V)
S/N Ratio	48 dB	Sync System	Internal
Lens	3.15 mm ~31.5 mm Video AF	Operating Temp.	14°F to 95°F
Zoom Ratio	10X optical, 10X digital	Storage Temp.	-4°C to 140°C
Network		Operating Humidity	0-96%
Display Resolutions	D1 720x480, 640x480, 320x240, 160x120	Function	
Maximum Frame Rates	30 fps @ 720x480	Camera Control	RS485
Video Compression Format	MPEG-4 Part2 (ISO/IEC 14496-2), Profile: SP and ASP	Auto Exposure	Auto / Shutter PRI / Iris PRI / Manual
Audio Compression Format, I/O Terminal	G.726 (ADPCM), Full duplex, 16/8 kbps, 3.5mm Mic In x1 and Speaker Out x1	Shutter speed	Normal ~ 1/10000
Alarm and event Management	Built-In motion detection, adjustable sensitivity and dwelling time.	White Balance	Auto / Indoor / Outdoor / Manual
Protocols	TCP/IP, UDP, HTTP, RTP, RTSP, DHCP, SMTP, DDNS	AGC	AGC On / Off (30 dB max)
Ethernet	10Base-T/100Base-T (RJ-45)	BLC	On / Off
Pre/Post Event	Max. 180 sec	Auto Iris Control	Auto / Manual (F1.6 ~ F32)
Image Setting	Color, Brightness, Contrast	Focus Mode	Auto / Manual
Event Recording / Email Notification / Remote Upgrade / Remote Set-up/viewer / Access Level / Multicasting Capability / Bandwith Control / Search by Alarm, Event, Time		Display	On / Off
		Title	Title display
		Pan Angle	0° ~ 359°
		Tilt Angle	0° ~ 90°
		Pan Speed	Max 120°/sec
Minimum Operation System	Microsoft Windows 2000/XP, Intel Pentium III 500MHz or higher, 256MB or more	Tilt Speed	Max 120°/sec
Web Browser	Microsoft Internet Explorer Version 6.0	Scan Speed	7°/sec
		Tour	Course (1~4 x 16 Preset)
		Auto Scan	Course (1~4)
		Dome ID	63 ID
		Alarm	Default / Save / End / NC / NO / Off
		Alarm State	Momentary / Time Out
		Preset	60 Position
		Preset Accuracy	±1°
		Power	
		Power Source	DC12V
		Power Consumption	10W
		Mechanical	
		Housing	Heavy duty die-cast water & weatherproof housing, Weatherproof IP66
		Weight	2.87 lbs