

MPD-6500

PTZ Mini Dome High Resolution, Vandal Proof Camera



INCORPORATED

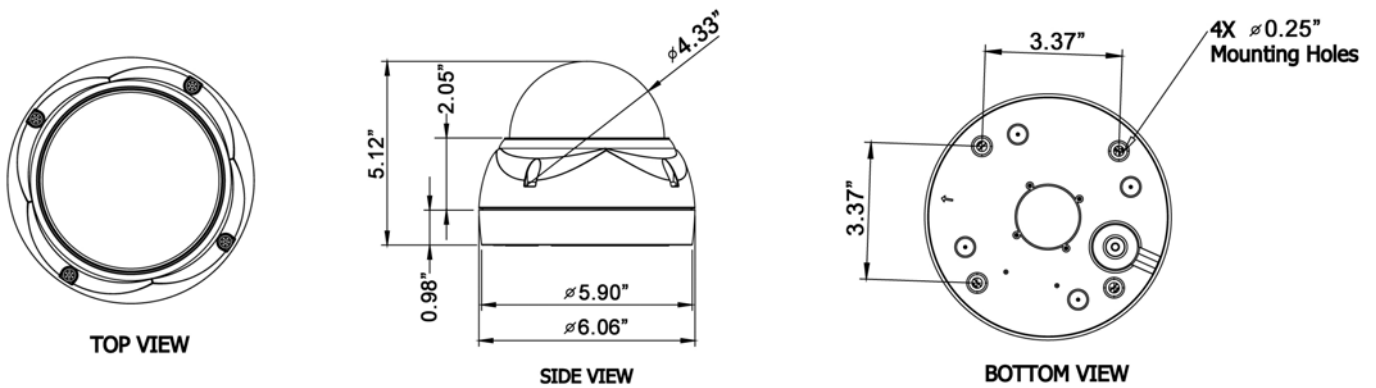
Sophisticated Security and Surveillance Systems

Features

- ✓ 1/4" Sony Super HAD CCD image sensor
- ✓ 22x Optical Zoom / 11x Digital Zoom
- ✓ Day/Night function with mechanical IR Cut Filter
- ✓ Remotely controllable intelligent Pan/Tilt/Zoom camera
- ✓ Combines superior imaging with a vandal-proof housing
- ✓ DVR and Multiplexer remote control via RS-485
- ✓ Pan: 0°~360° Endless, Tilt: 0°~90°
- ✓ Programmable presets and tours
- ✓ Pan/Tilt speed (Manual: max 150°/sec, Auto: max 375°/sec)
- ✓ Up to 60 programmable preset positions
- ✓ Up to 64 programmable ID's
- ✓ Easy to install
- ✓ Dual power operation (AC24V/DC12V)



Description



MPD-6500

PTZ Mini Dome High Resolution, Vandal Proof Camera



INCORPORATED
Sophisticated Security and Surveillance Systems

Specifications

Video		Function	
Signal Format	NTSC	Camera Control	RS485 (FastraxII, Pelco D, Pelco P)
Color Resolution	480 TV Lines	Auto Exposure	Auto / Shutter PRI / Iris PRI / Manual / Flickerless
Monochrome Resolution	530 TV Lines	Shutter speed	Normal ~ 1/10000 sec. (x2 ~ x60 (Low shutter))
Min. Illumination	1.5 Lux (Color), 0.05 lux (B/W), 0.001 lux (Low-shutter)	Shot	Normal / DIS / WDR / Low Shutter
Video Output	1.0 Vp-p, 75 ohm composite	Effect	Mirror, Freeze, Nega/Posi, DNR, PIP
S/N Ratio	>50dB (AGC off)	White Balance	AWB / Indoor / Outdoor / Manual / WAWB
Zoom Ratio	22x Optical, 11x Digital (Video AF)	AGC	Auto / Manual (0 ~30 dB max)
Lens	f = 3.9 mm ~ 85.8 mm F1.6 (wide) ~ F3.7 (tele)	BLC	On / Off
General		Auto Iris Control	Auto / Manual (F1.6 ~ F32, Close)
Image Sensor	1/4" Sony Super-HAD Color CCD	Sharpness	0 ~ 15 Steps
Total Pixels	811 (H) x 508 (V)	Brightness	0 ~ 90 Steps
Scanning System	2:1 interlace	Day/Night	Auto / Color / BW / (Mechanical IR Cut Filter)
Scanning Frequency	15.734 KHz (H), 59.94 Hz (V)	Focus Mode	Auto / Manual
Sync System	Internal / Line Lock	Digital Zoom	On / Off
Operating Temperature	14°F to 113°F	Distance	0.1M / 1.0M / 1.5M / 2.5M / 6.0M
Storage Temperature	-4°C to 140°C	Pan Angle	360° Continuous Rotation
Operating Humidity	0-96% non condensing	Tilting Angle	0° ~ 90° (Auto Flip: On / Off)
Power		Preset Speed	Pan / Tilt: 375°/sec
Power Source	DC 12V / AC 24V ±10%	Pan Speed	Manual: Max 150°/sec Auto: Max 375°/sec
Power Consumption	12 Watts	Tilting Speed	Manual: Max 150°/sec Auto: Max 375°/sec
Mechanical		Tour	1~4 x 16 preset
Power Input	2-Pin terminal block	Auto Scan	4 tours
Video Output	BNC Connector	Home Function	On / Off
RS485 Control	2-Pin Terminal block	Camera ID	63 ID
Alarm Input/Output	4-Pin Terminal block	Area Title	8 tours
Weight	2.87 lbs	Alarm Input	Off / NC / NO (1 Channel)
		Alarm Output	Off / NC / NO (1 Channel)
		Alarm State	Timeout / Momentary
		Password Protection	On / Off (OSD Setup Protection)
		Preset	60 Position