

OLE-5610

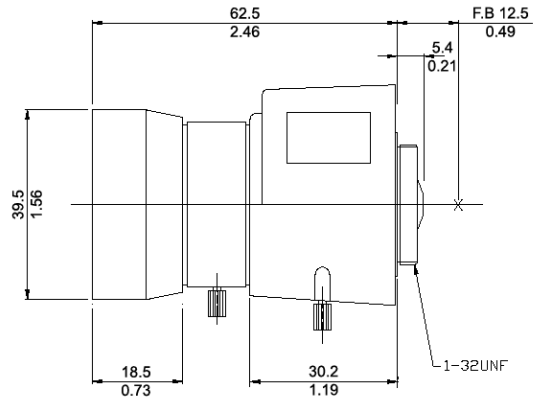
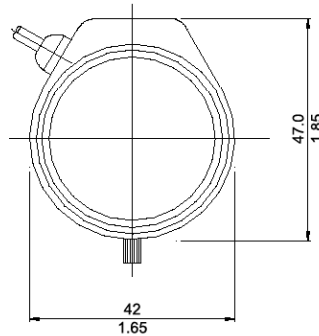
5-60mm Vari-focal, Auto Iris Lens



INCORPORATED

Sophisticated Security and Surveillance Systems

Description

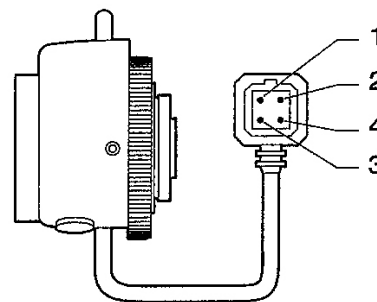
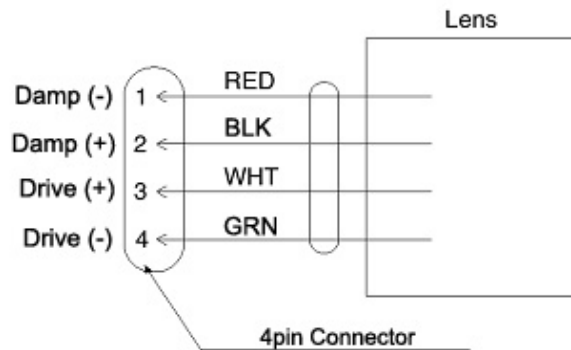


Units are in mm / inches

Specifications

| Video | | Function | | | |
|------------------------|--|---------------------|---------------------------------|---|------------------|
| Format | 1/3" | Iris Auto (DC) | Driving Coil | 190Ω ±10% (68°F) | |
| Focal Length | 5mm ~ 60mm | | | Close – Open <4.0V | |
| Iris Range | F1.6 ~ T360 (Equivalent to F360) | | | Open – Close >0.5V | |
| Angle of View | Wide | | 65.5 (D) x 52.5 (H) x 39.4 (V)° | Damping Coil | 700Ω ±10% (68°F) |
| | Tele | | 5.8 (D) x 4.6 (H) x 3.4 (V)° | Response Time | 3.0 sec or less |
| M.O.D. | 0.3M | | Other | Iris automatically closes when power is turned off. | |
| Back Focal Distance | 7.62mm | Focus | Manual (with lock screw) | | |
| Flange Back Length | 12.5mm | Zoom | Manual (with lock screw) | | |
| Input Signal | Video signal or composite video signal | Operating Temp | -50°F – +122°F | | |
| Accuracy | ±15% at video signal level | Power | | | |
| Sensitivity Adjustment | 0.5 – 1.0Vp-p at video signal level | Input Voltage | DC 8-16V | | |
| | | Current Consumption | <35mA | | |
| | | Mechanical | | | |
| | | Mount | CS Mount | | |
| | | Weight | Approx. 4.34 oz | | |

Wiring



060329-1

*Specifications subject to change without notice.

www.intervid.com
800-337-8066

Page 1 of 1